

Colloid Mill

DISPERSION EQUIPMENT

Colloid Mill

For producing, controlled, highly sheared, uniform emulsified products such as salad dressings, mayonnaise, liquid egg homogenization, tomato-based sauces and various personal care products such as lotions and creams.



FEATURES AND BENEFITS

Greater Capacity

Waukesha Cherry-Burrell® Colloid Mills dispense product inline through larger openings. Clearance setting does not effect product movement. You get up to 50% more flow rate with less heat than other mills.

Easy Clearance Adjustment

Just set a simple, calibrated ring. It locks in position in increments of .001 between .010 and .240 inches (0.254 and 6.096mm). No special tools. Less chance for error. Less downtime. Clearance adjustment can be made 'on the fly' during operation or when stopped.

Easy Cleaning

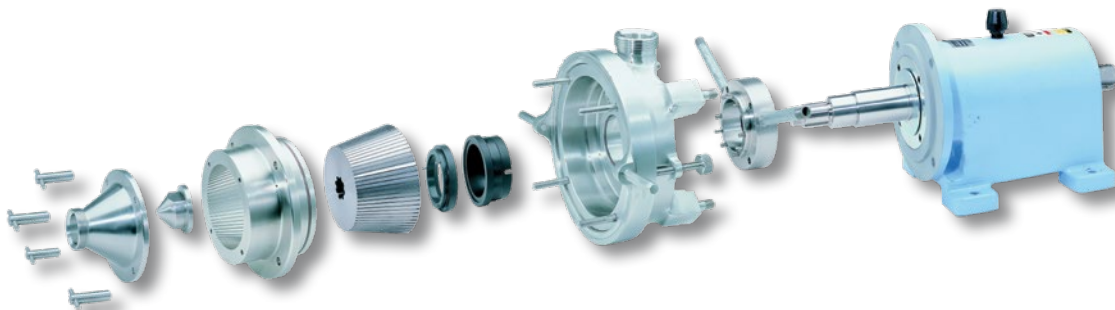
With the stator removed, you gain complete visibility. Stator is easily removed without tools and can be cleaned in place depending on application.

Longer bearing & seal life

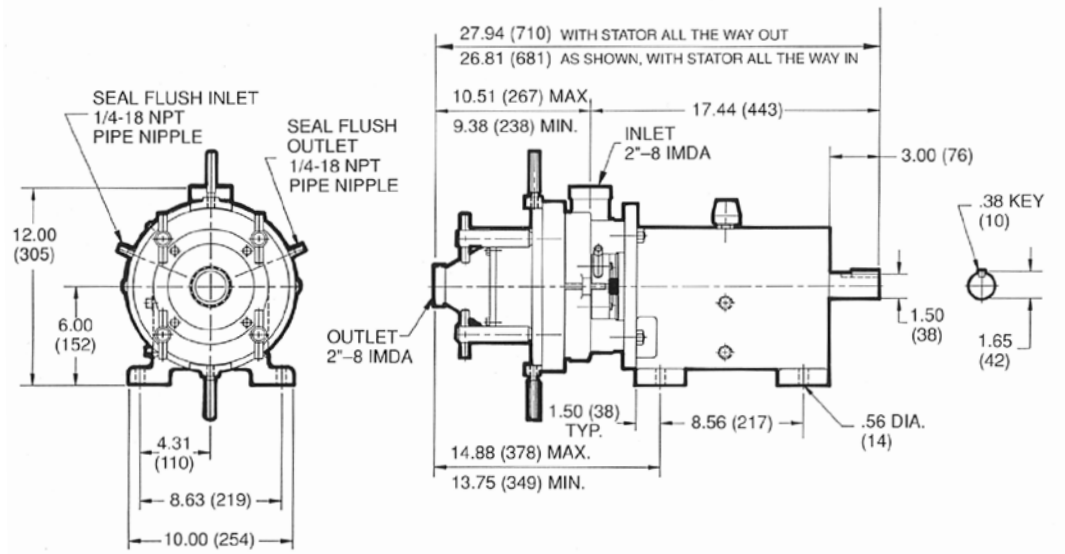
Shaft and bearing position is independent of clearance adjustment, so heavy duty, pre-loaded bearings can be used for longer life. Runs quieter, too.

Easy to Disassemble

With only seven basic parts to the mill. Cleaning and inspection are quick and easy.



PRODUCT DIMENSIONS



PRODUCT SPECIFICATIONS

The Waukesha Cherry-Burrell brand colloid mill produces controlled, uniform dispersions and stable emulsions made up of uniform globules of moderate fineness. A serrated conical stator and a serrated rotating cone make up the emulsifying head.

Operating clearance can be adjusted in .001 inch increments between .010 and .240 inches.

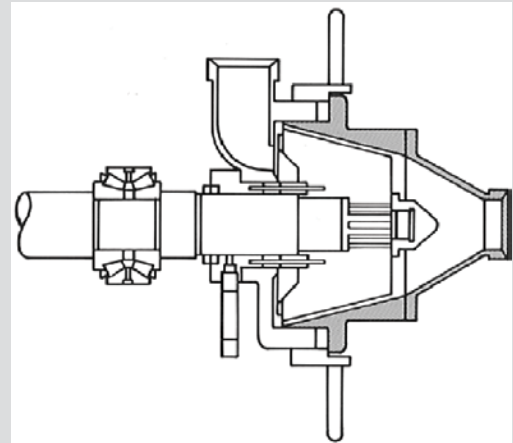
MODEL	NOMINAL SPEED	PRESSURE	NOMINAL CAPACITY TO	INLET/OUTLET	NOMINAL TEMP. RANGE
CM	3600 RPM	to 150 psi (10 bar)	6.7 to 33.3 GPM (25 to 126 l/m)	2" San. IMDA	to 200° F (93° C)

Waukesha Cherry-Burrell Design

A serrated conical stator and serrated rotating cone make up the emulsifying head. Clearances are determined by moving the stator not the shaft. Shaft, bearings and seals are all fixed.

Simple Stator Adjustment

- Long shaft life
- Long bearing life
- Long seal life



Based in Charlotte, North Carolina, SPX FLOW, Inc. (NYSE: FLOW) is a multi-industry manufacturing leader. For more information, please visit www.spxflow.com

SPXFLOW

SPX FLOW, Inc. reserves the right to incorporate our latest design and material changes without notice or obligation.

Design features, materials of construction, dimensional data and certifications as described in this bulletin, are provided for your information only and should not be relied upon unless confirmed in writing. Please contact your local sales representative for product availability in your region. For more information visit www.spxflow.com

The green "S" and "X" are trademarks of SPX FLOW, Inc.

ISSUED 09/2019 FH-1717 COPYRIGHT © 2019 SPX FLOW, Inc.

SPX FLOW 611 Sugar Creek Road Delavan, WI 53115
P: (262) 728-1900 or (800) 252-5200 E: wcb@spxflow.com

